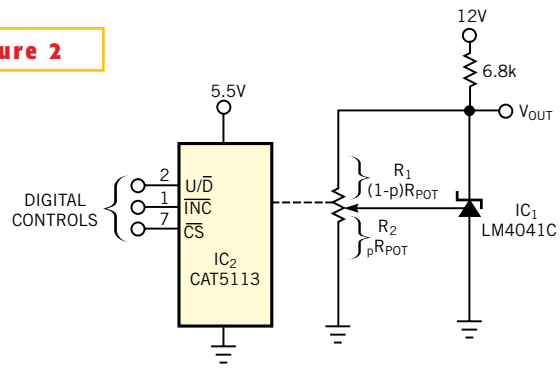


**Figure 2**



**This circuit has low component count, low temperature coefficient, and enhanced programming accuracy.**