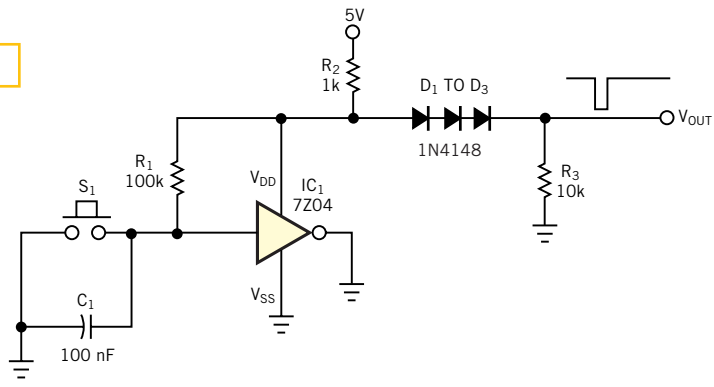


Figure 1



This switch-debouncer circuit consumes virtually no power.