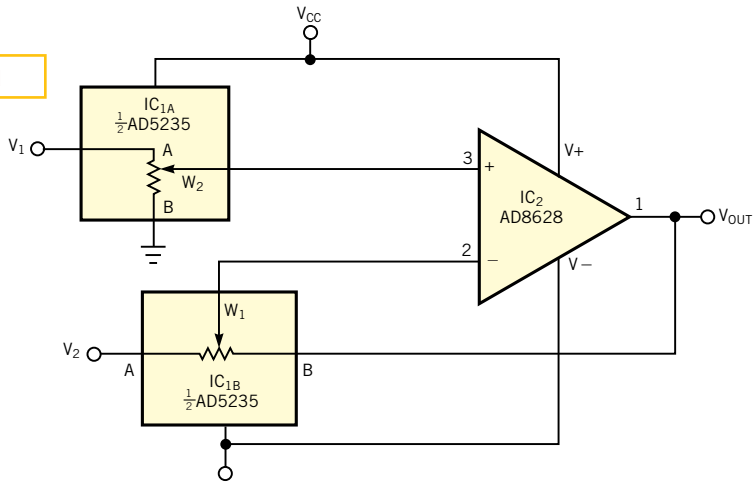


**Figure 1**



**A low-cost difference amplifier uses digital potentiometers to set the gain.**