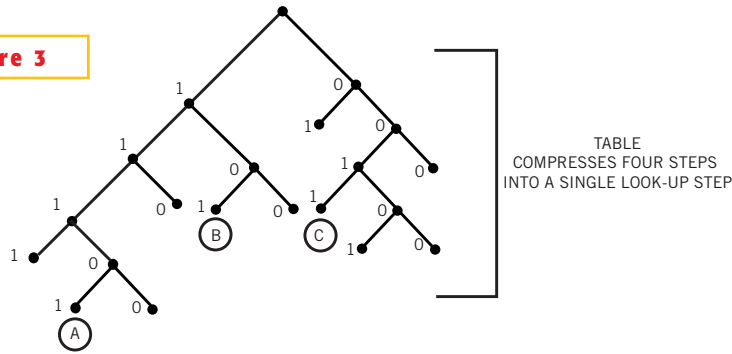


Figure 3



The radix tree looks like an upside-down tree. Branches represent various entries but only to the point at which the branch becomes unique (analogous to the longest prefix). For example, A represents entry 11101, B represents 101xx, and C represents 0011x. To speed look-up using a radix tree, you can compress several levels into one look-up step.