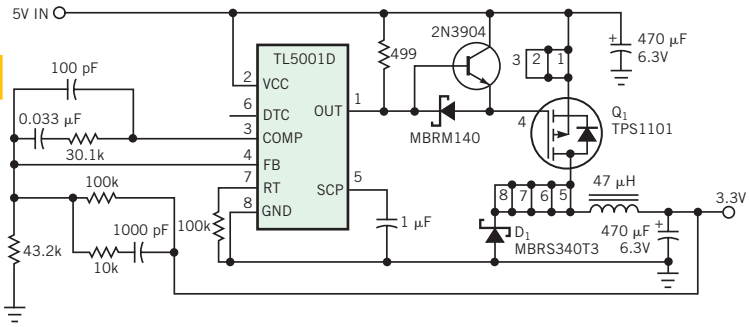


Figure 2



When power is an issue, a low-cost nonsynchronous buck regulator increases efficiency.