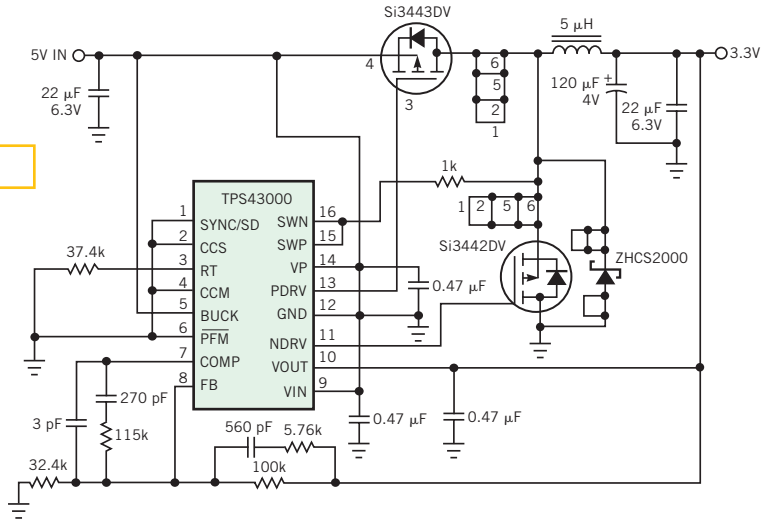


Figure 3



You can improve efficiency over a wide load range with an external-switch synchronous buck regulator.