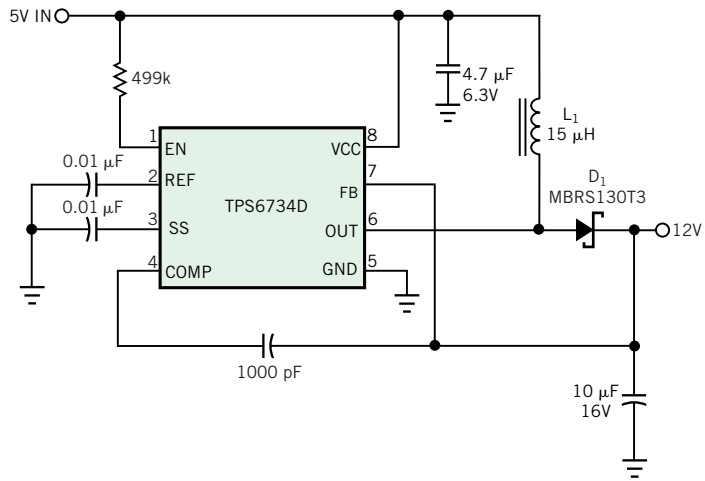


**Figure 5**



**A boost regulator provides 12V at as much as 120 mA from the USB port.**