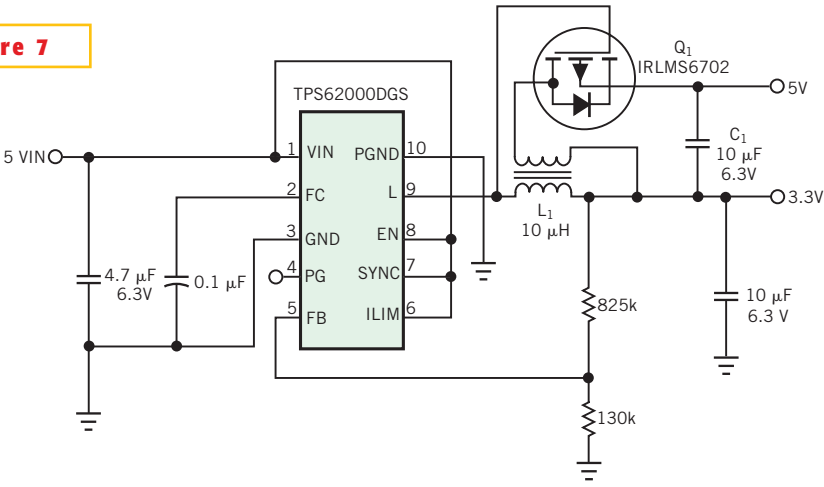


**Figure 7**



**A synchronous buck converter with an auxiliary output winding provides dual output voltages.**