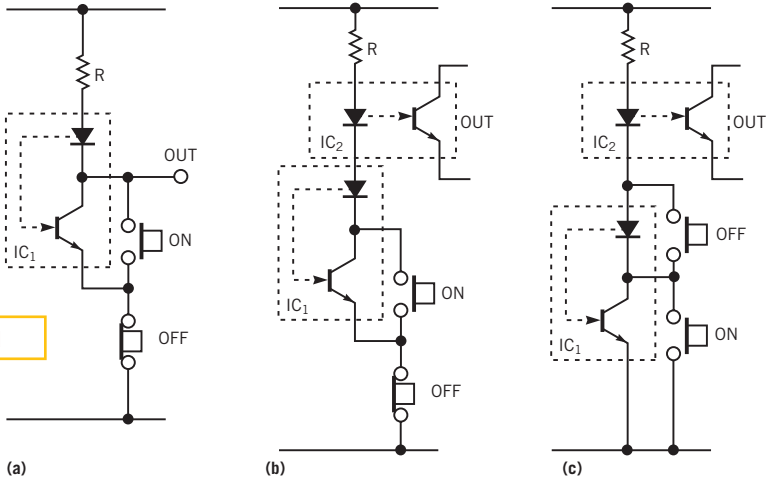


Figure 1



Various optocoupler-latching circuits are suitable for motor control. In (a) and the isolated circuit (b), simply pushing the on button turns on the circuit. In (c), you push both buttons simultaneously.