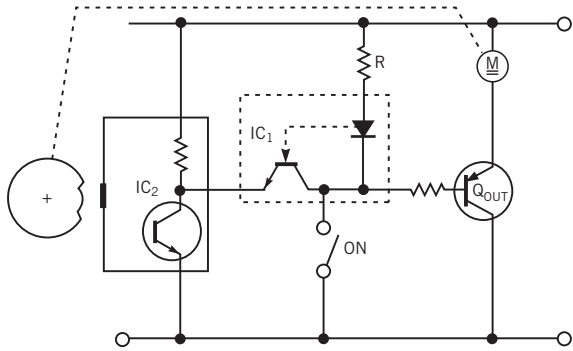


**Figure 2**



**A notched cam controls a proximity switch, which determines the motor's stop positions.**