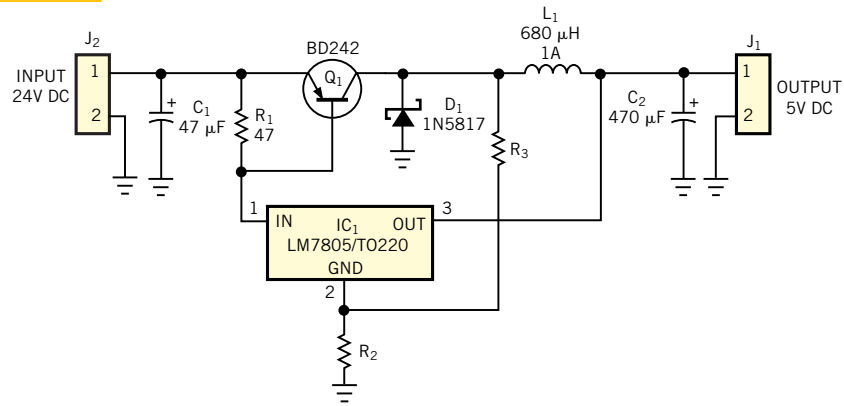


Figure 1



You can use a linear regulator in a switching circuit to configure an inexpensive dc/dc converter.