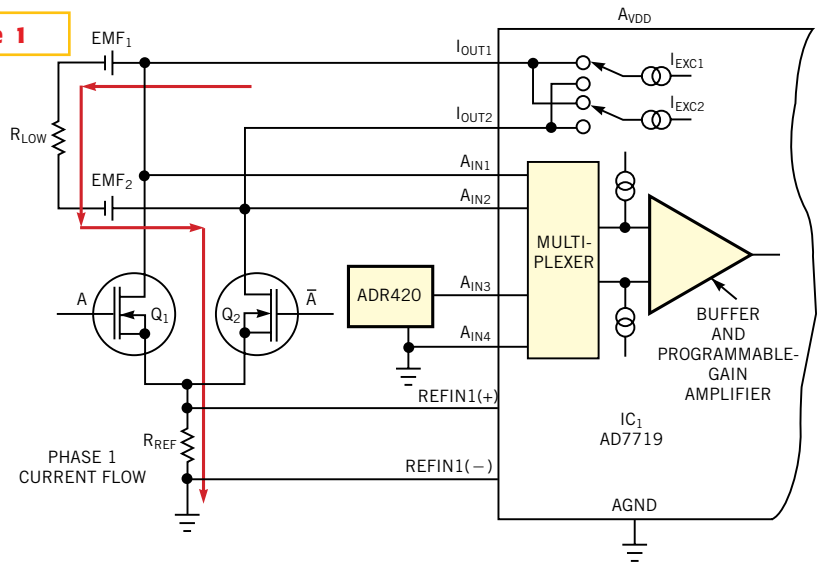


Figure 1



In this configuration, the excitation current flows in R_{LOW} from top to bottom.