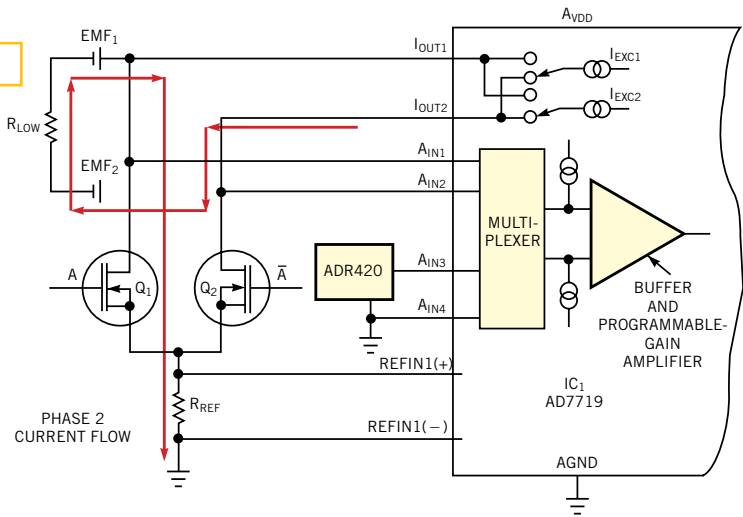


Figure 2



In this configuration, the excitation current reverses, and flows from the bottom of R_{LOW} to the top.