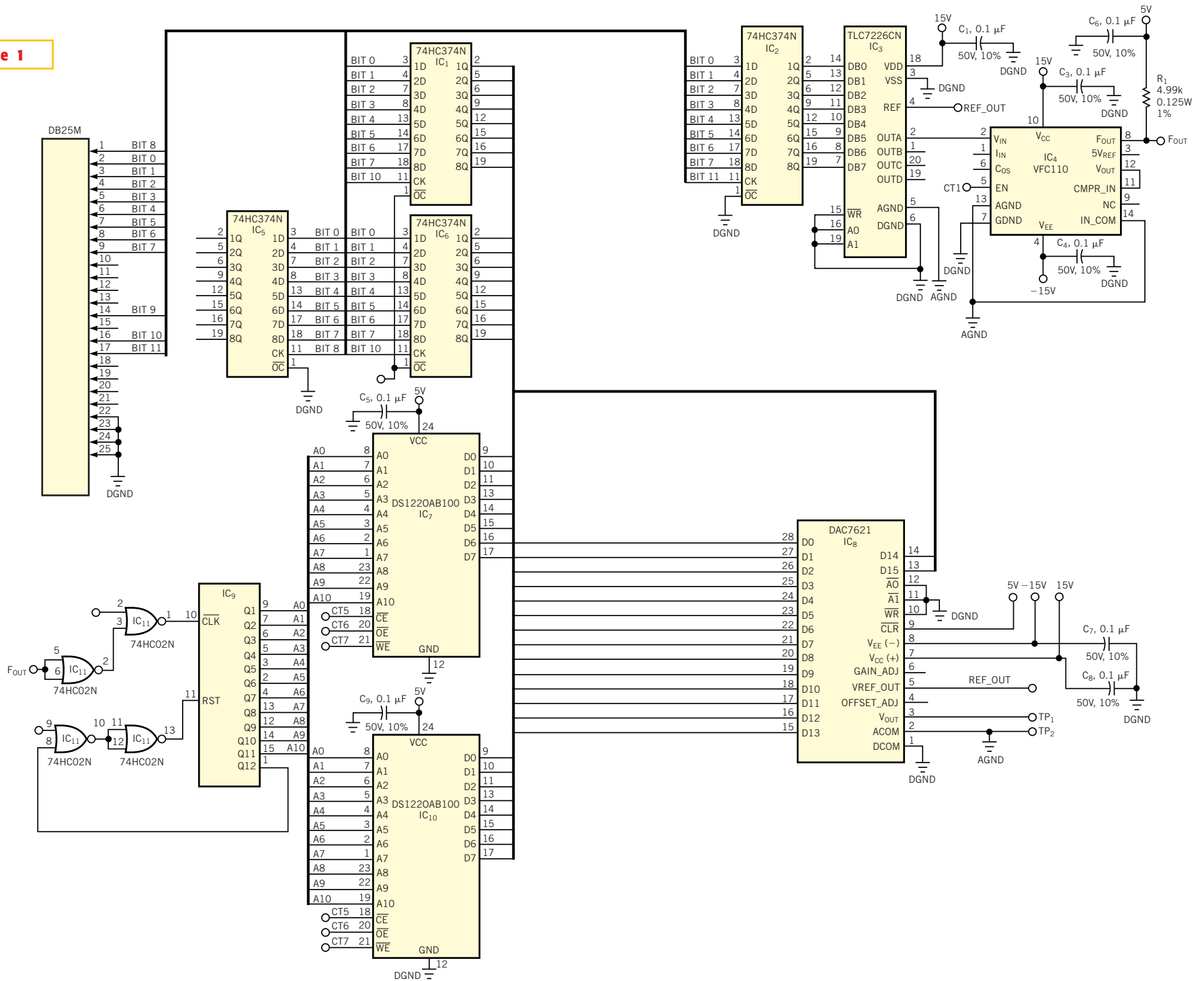


Figure 1



With the aid of some Visual Basic software and a few ICs, a computer's parallel port forms an effective arbitrary-waveform generator.