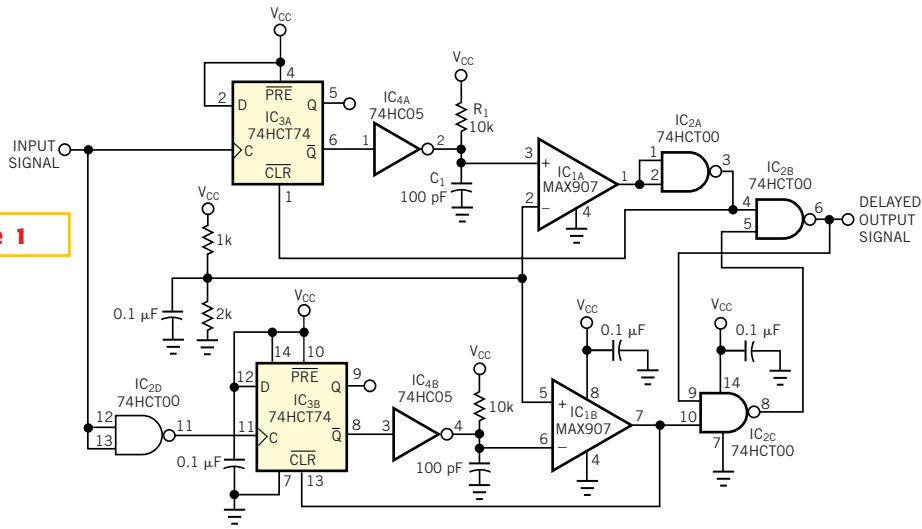


Figure 1



Based on a precision dual comparator, this delay line generates accurate duty cycles.