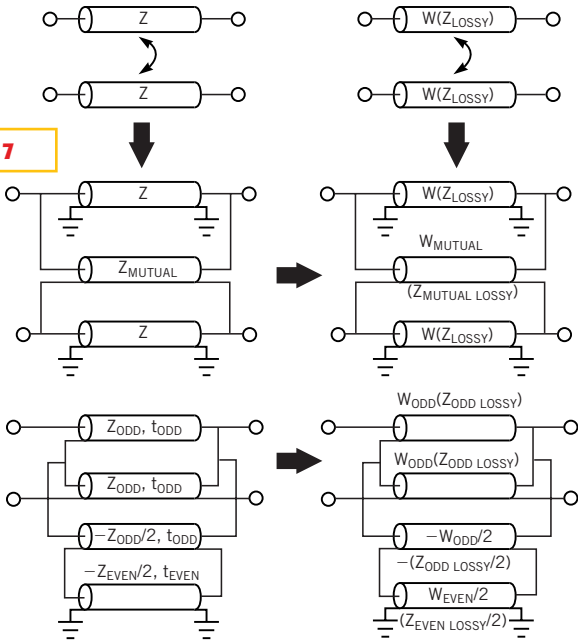


Figure 7



The lossless-transmission-line model, extracted via the true-impedance-profile technique, changes to the lossy-transmission-line model.