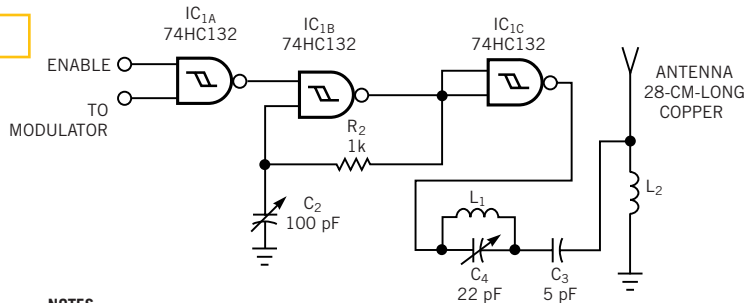


Figure 2



NOTES:
L₁ IS SIX TURNS OF 22-GAUGE WIRE WITH 5-MM DIAMETER.
L₂ IS 18 TURNS OF 22-GAUGE WIRE WITH 5-MM INNER DIAMETER.

This simple transmitter from Reference 1 allows you to remotely measure physical phenomena.