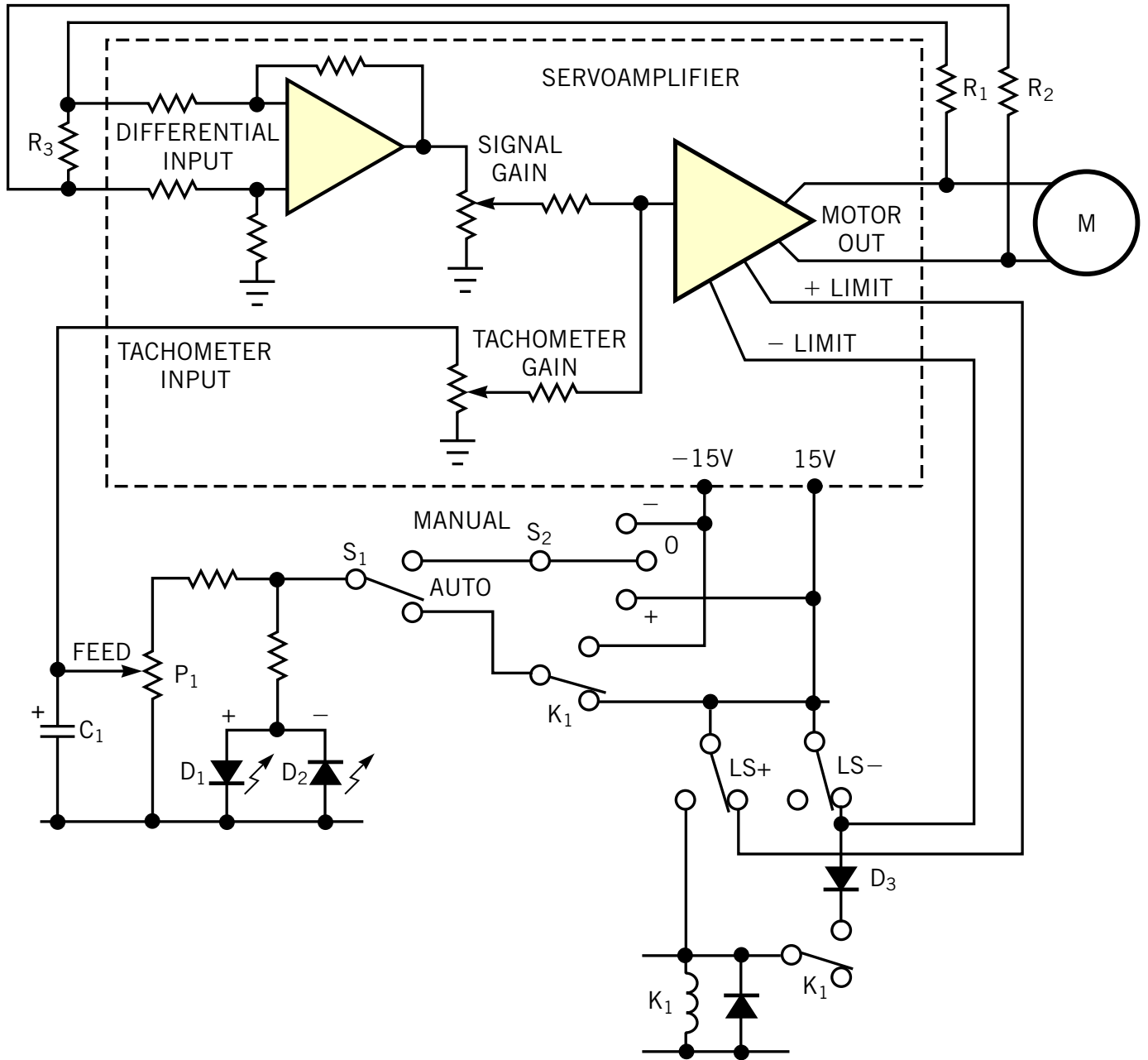


**Figure 1**



**A defunct milling machine served as the platform for this grinding-machine motor controller.**