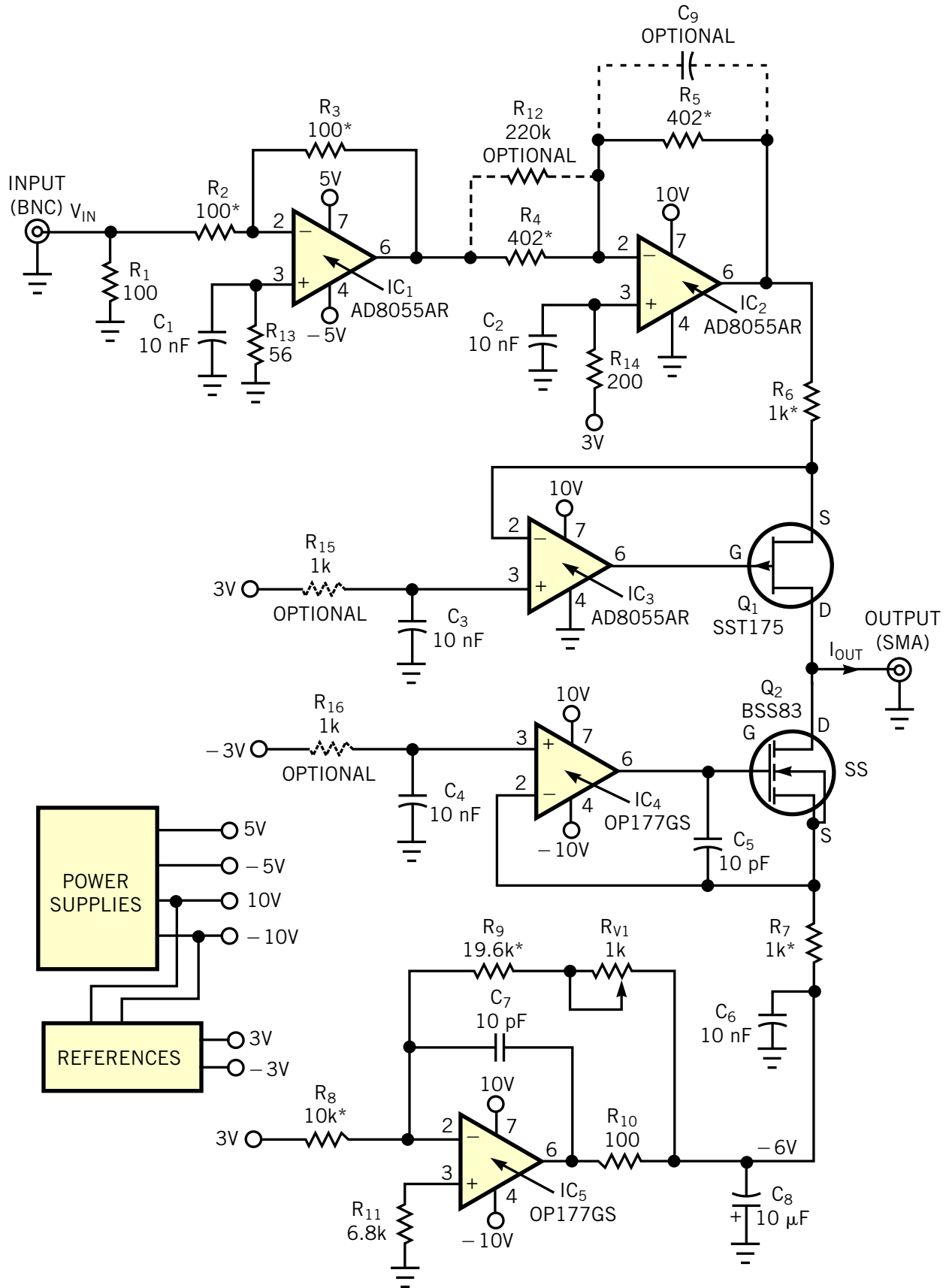


Figure 1



NOTES:

1. RESISTORS MARKED WITH * ARE 0.1% TOLERANCE.
2. ALL OTHER RESISTORS ARE 1% TOLERANCE.
3. DECOUPLING FOR ICs IS NOT SHOWN.

This versatile circuit can serve either as a voltage-to-current converter or as a variable-gain current mirror.