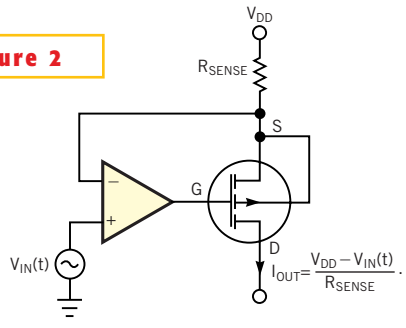


**Figure 2**



**This topology represents a traditional voltage-controlled current source.**