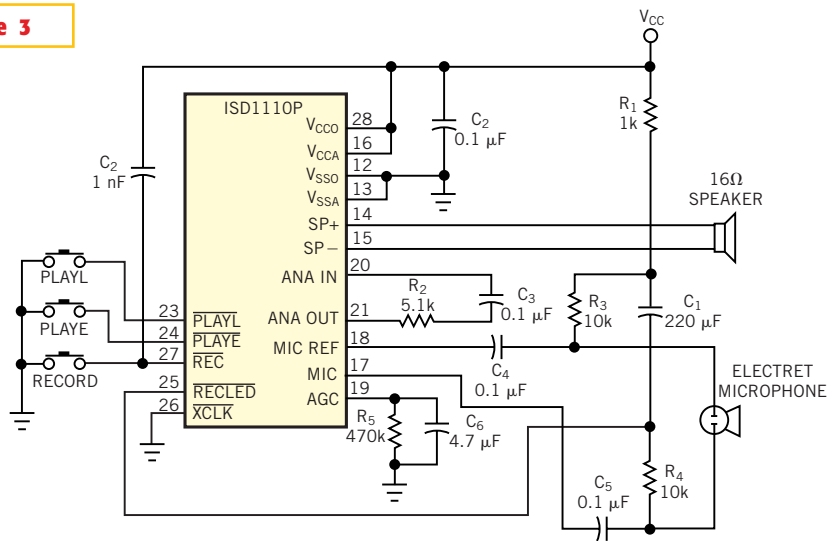


Figure 3



Using the EEPROM internal to IC₅ in Figure 1, this circuit records as much as 10 seconds of sound.