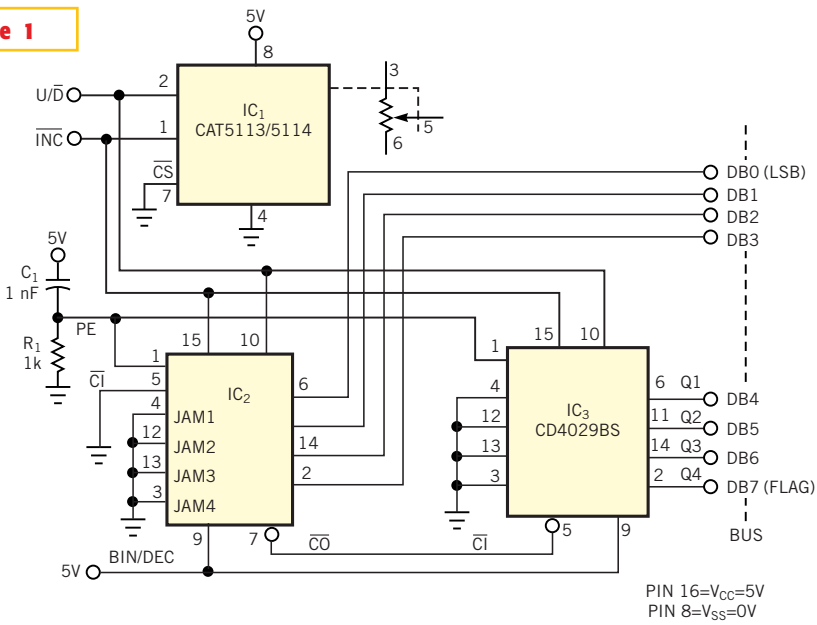


Figure 1



Two up/down counters keep track of a digitally programmable potentiometer's wiper position.