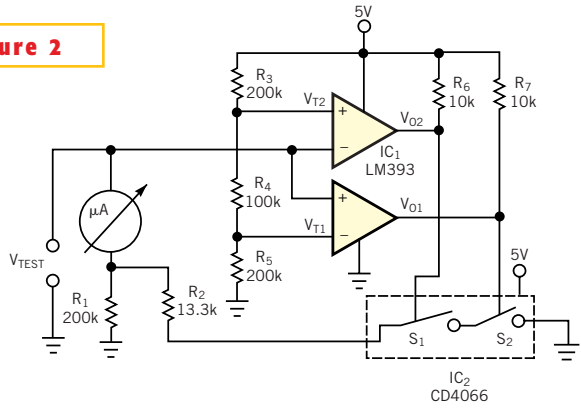


**Figure 2**



**A window comparator and two analog switches collaborate to expand the green zone in Figure 1.**