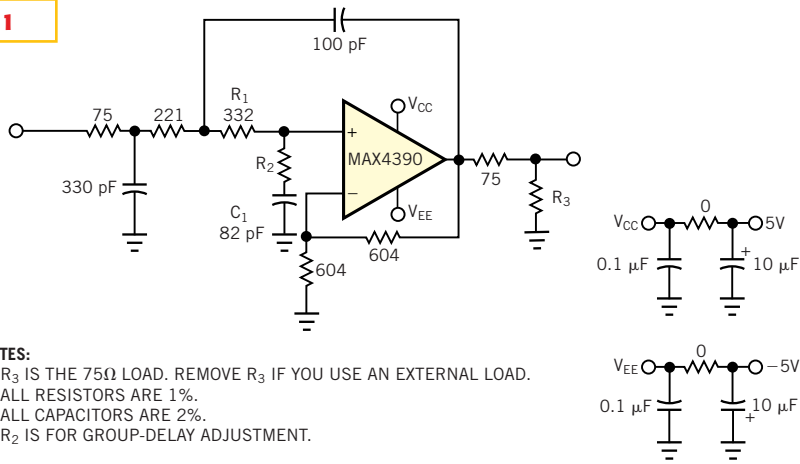


Figure 1



This three-pole Butterworth video-reconstruction filter has adjustable group delay.