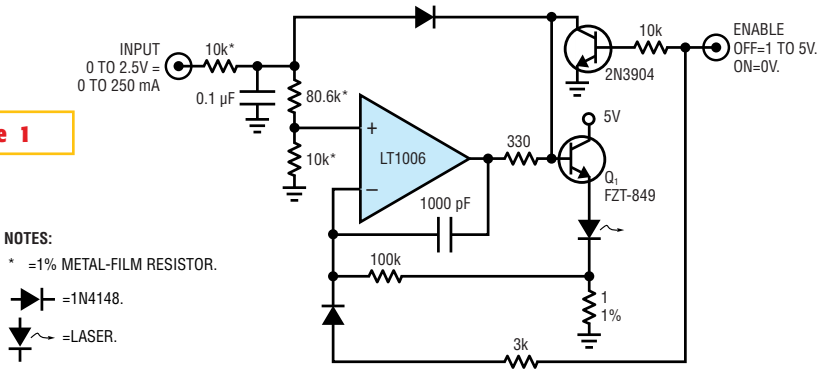


**Figure 1**



**A basic current source requires off-ground operation of the laser terminals. The amplifier controls the current by comparing the 0.1Ω shunt voltage to the input.**