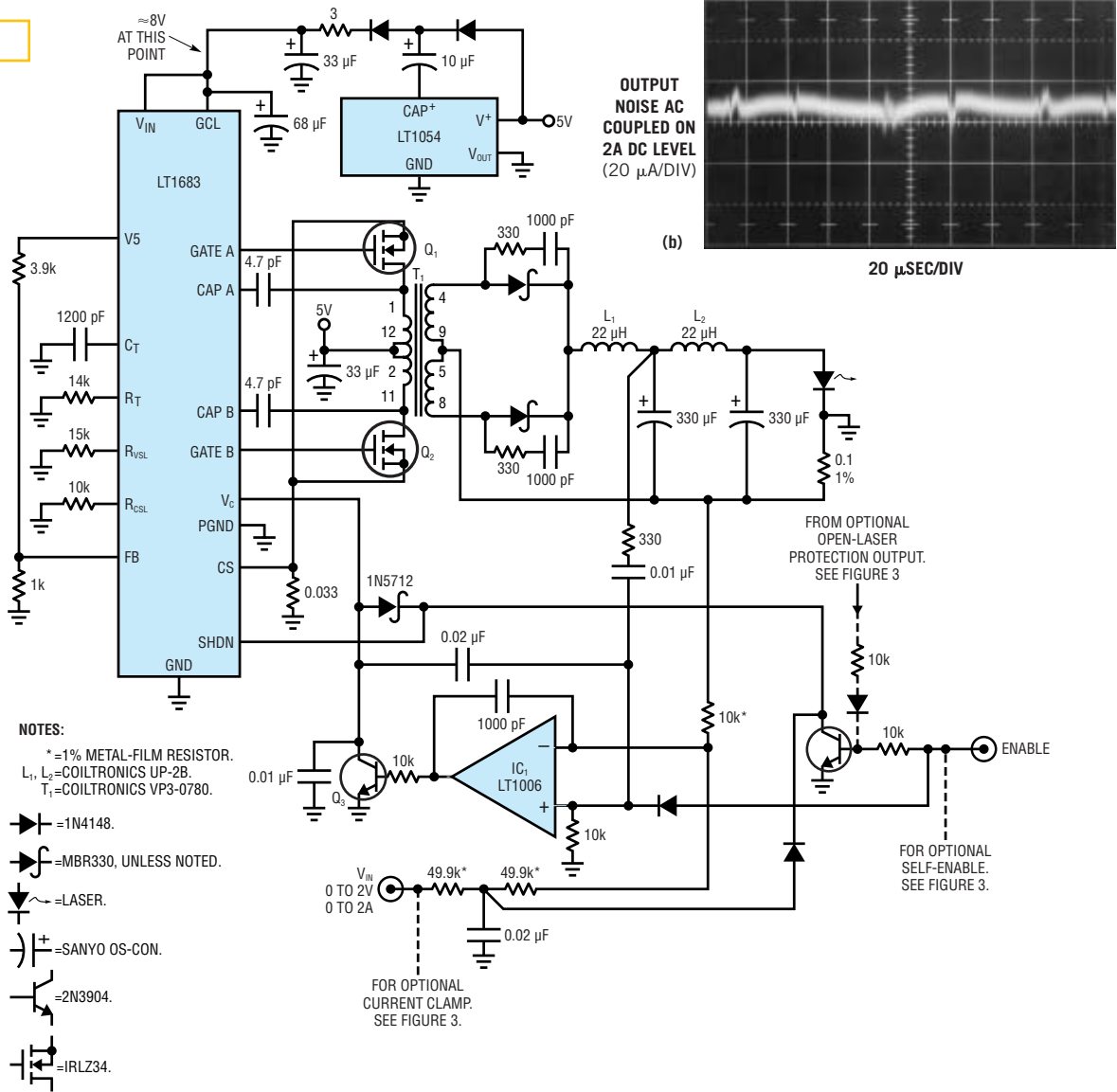


Figure 10



A 2A laser current source has a grounded-cathode output (a). Output noise measures 20 μ A p-p, or approximately 0.001% (b). Coherent, identifiable components include fundamental-ripple residue and switching artifacts.