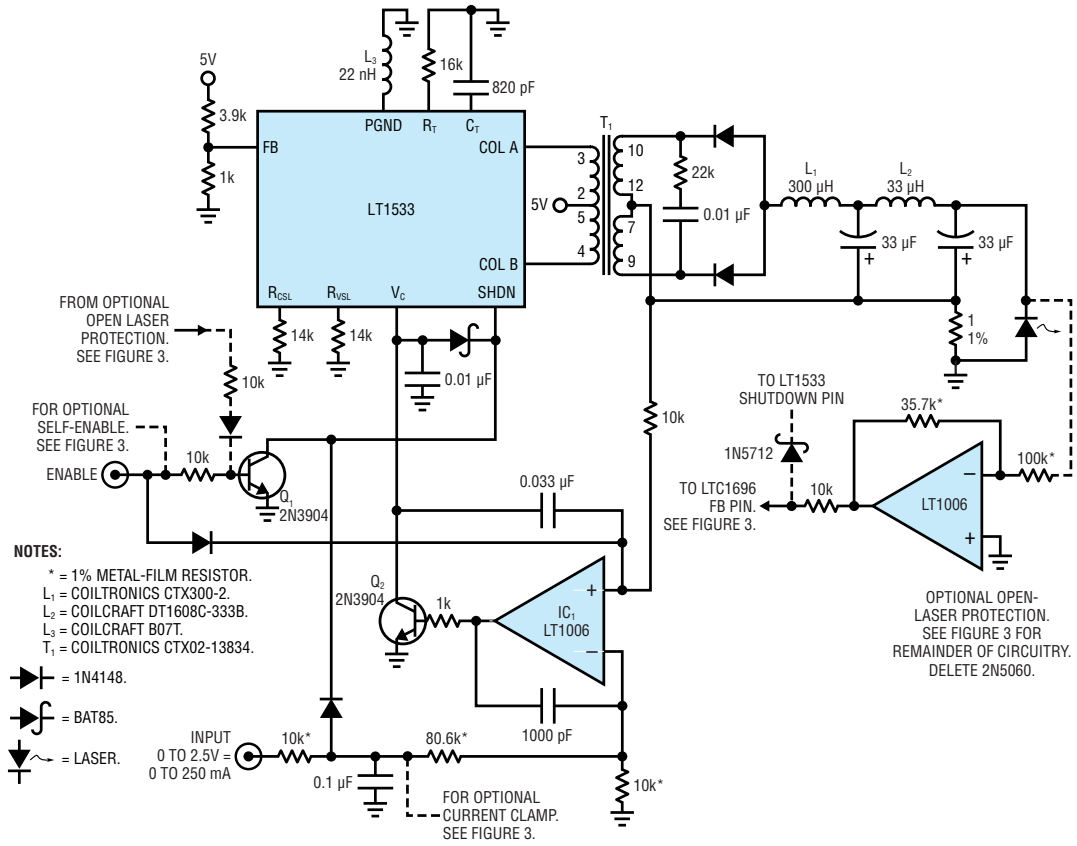


Figure 11



A 0.0025% noise, grounded-anode laser current source outputs 250 mA.