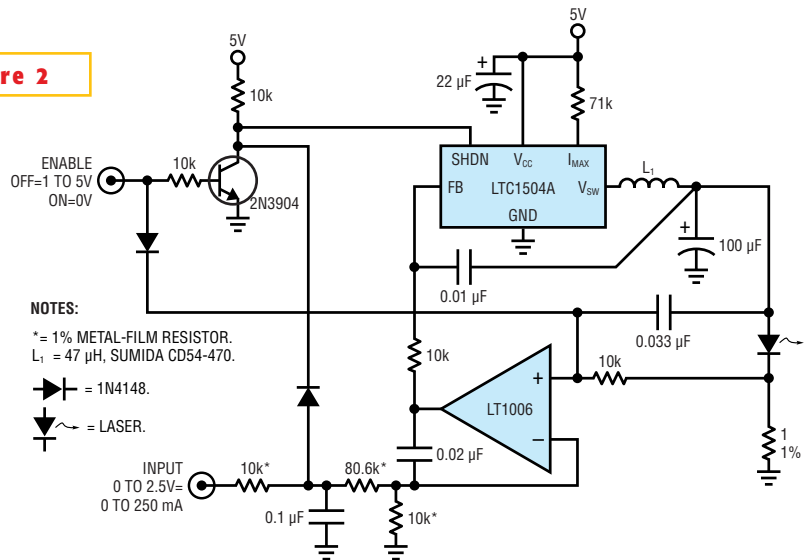


Figure 2



A switching regulator replaces Figure 1's Q₁ to provide higher efficiency.