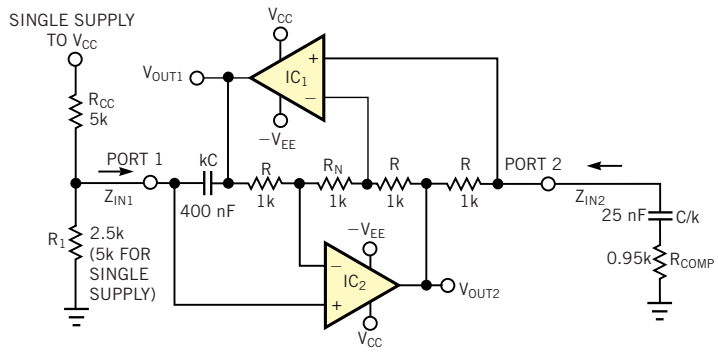


**Figure 1**



**A GIC-based resonator provides inherent amplitude control and low distortion.**