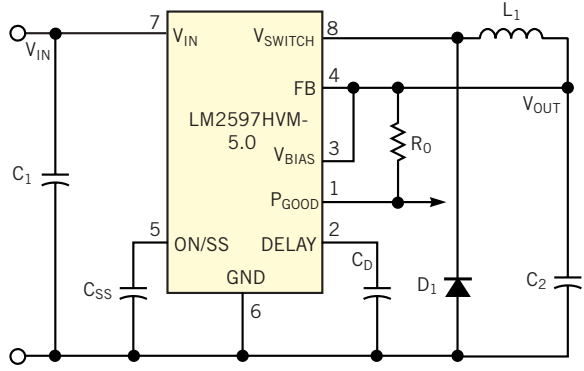


**Figure 1**



**This classic buck-regulator circuit efficiently steps down voltage.**