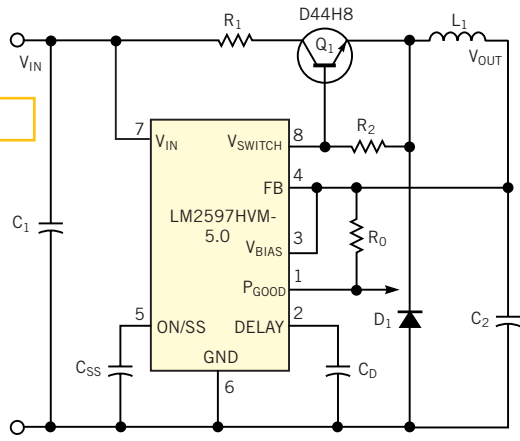


Figure 2



You can increase output current more than tenfold with the addition of only three components.