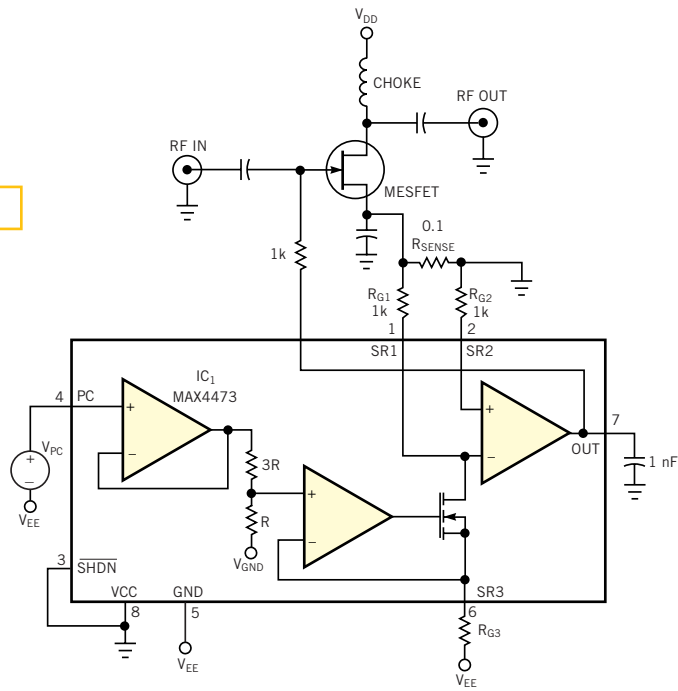


Figure 1



A smart-bias IC ensures uniform bias for GaAs FETS in high-volume products.