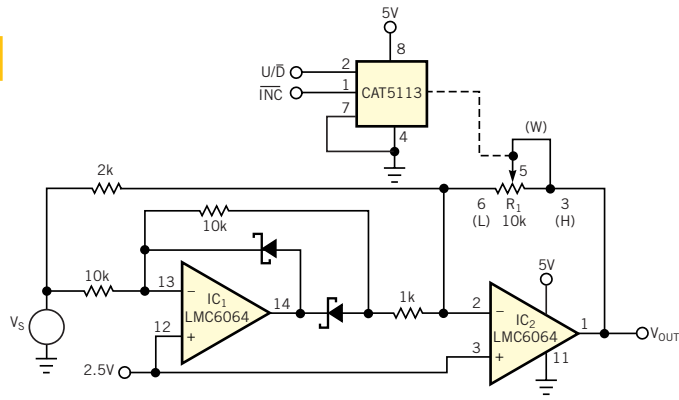


Figure 1



Attenuate or amplify with this variable-gain absolute-value circuit.