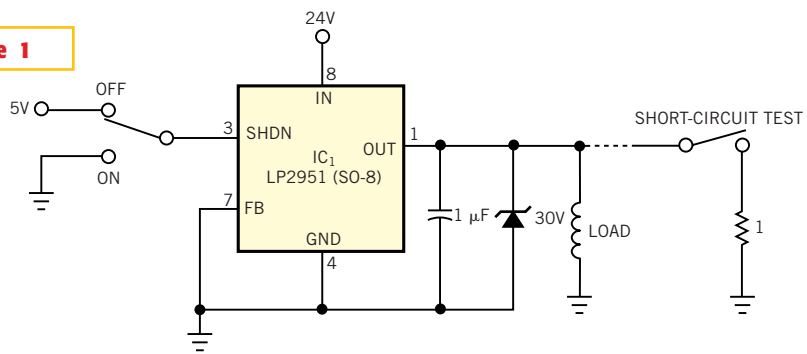


Figure 1



This simple high-side driver provides current limiting as well as transient protection.