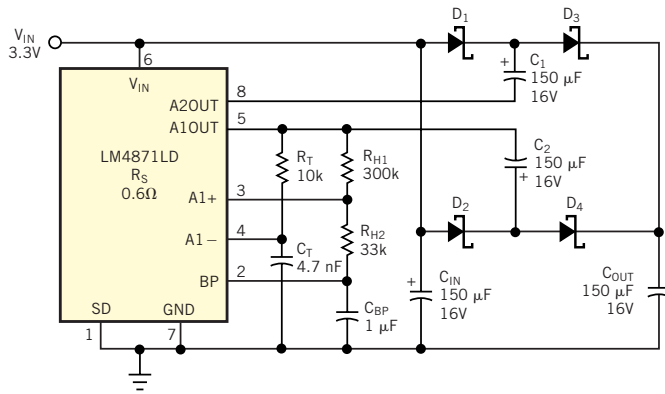


**Figure 1**



- NOTES:**
1. D<sub>1</sub> AND D<sub>2</sub>: MBR5120T3.
  2. C<sub>1</sub> AND C<sub>2</sub> ESR < 11 Ω.

**You can use a tiny audio amplifier to boost 3.3V to 5V with respectable current capability.**