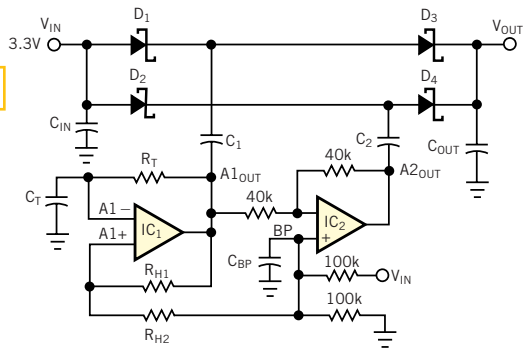


Figure 2



This equivalent circuit shows the innards of the LM4871LD audio amplifier.