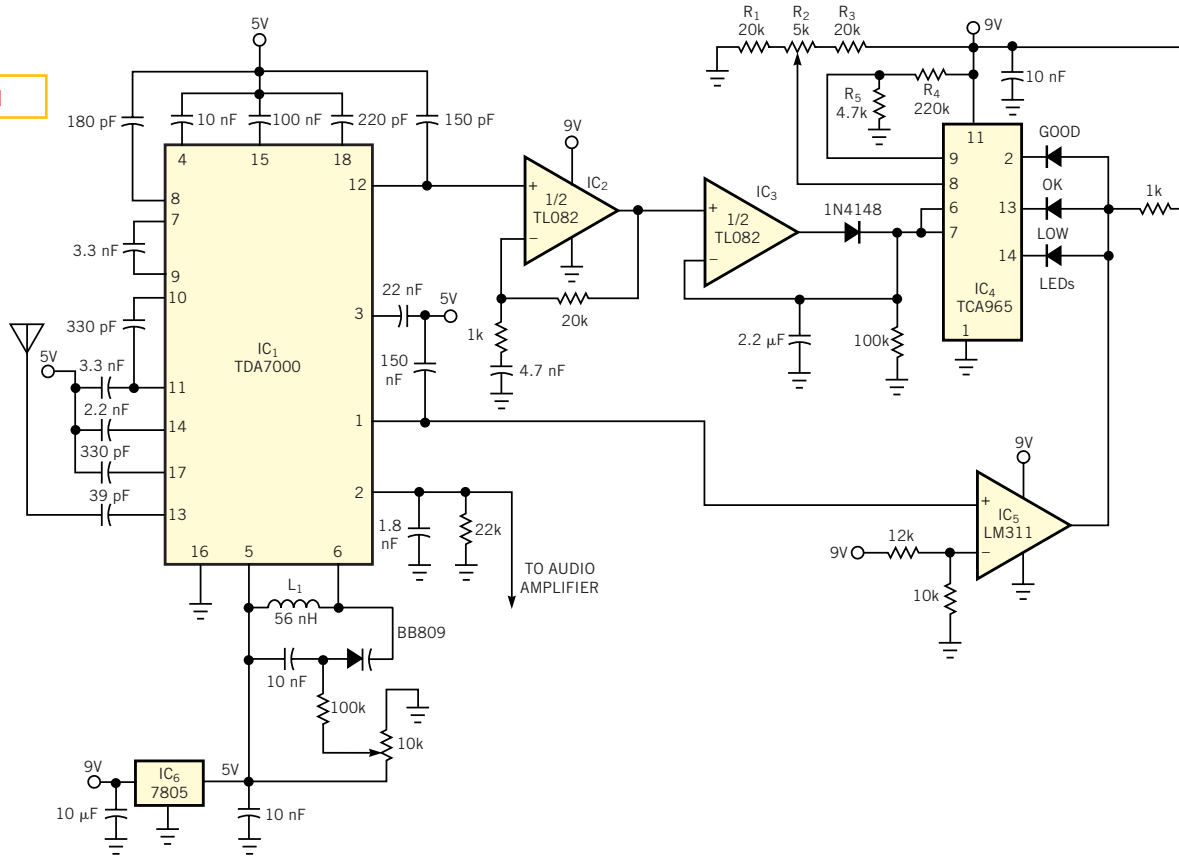


Figure 1



You can easily add a signal-strength indicator to the Philips TDA7000 FM-receiver IC.