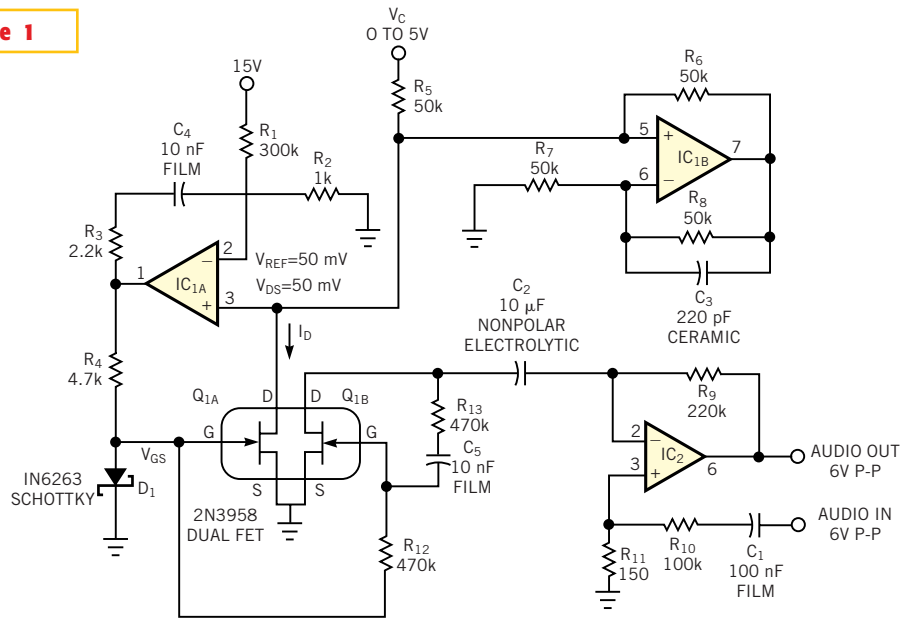


Figure 1



This voltage-controlled amplifier has a dynamic range of -55 to 0 dB.