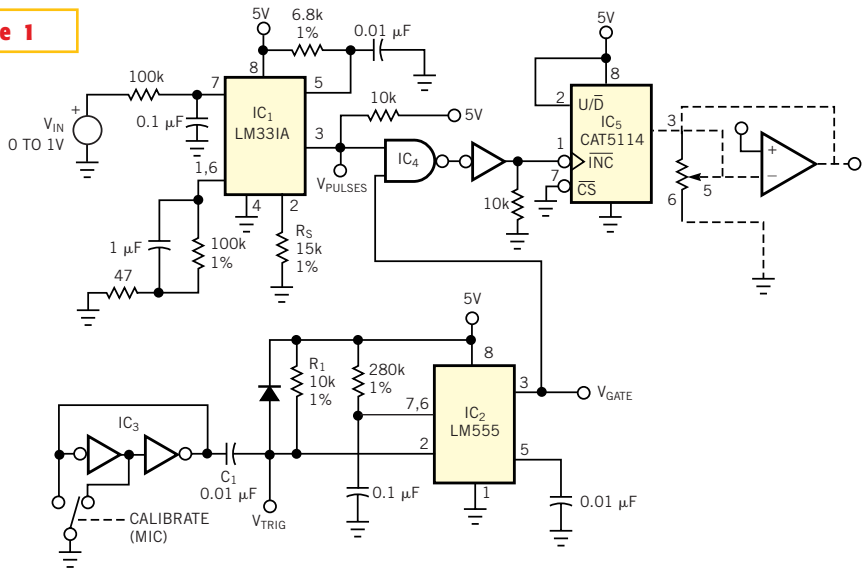


Figure 1



You can convert an analog voltage to a wiper setting in a digitally programmable potentiometer.