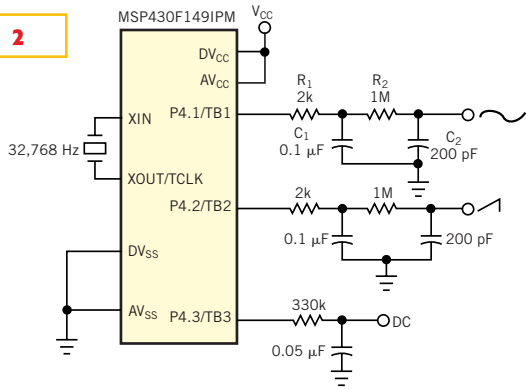


Figure 2



A microcontroller and some passive filters produce a sine wave, a ramp, and a dc signal.