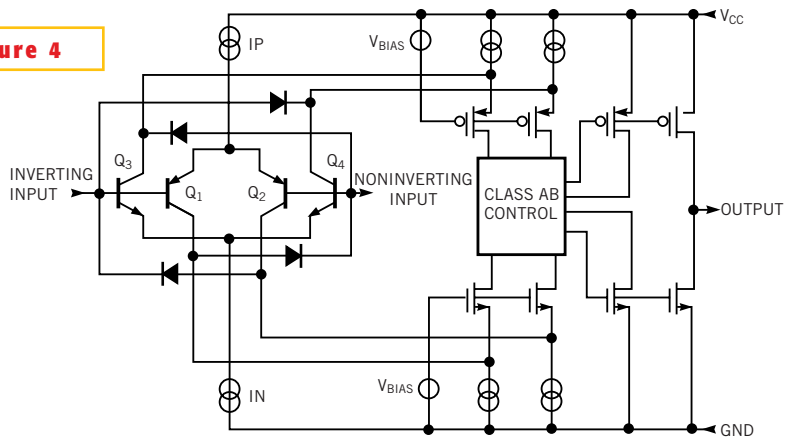


Figure 4



Rail-to-rail input op amps sacrifice V_{OS} and bias-current considerations to accommodate common-mode voltages that meet or exceed the supplies.