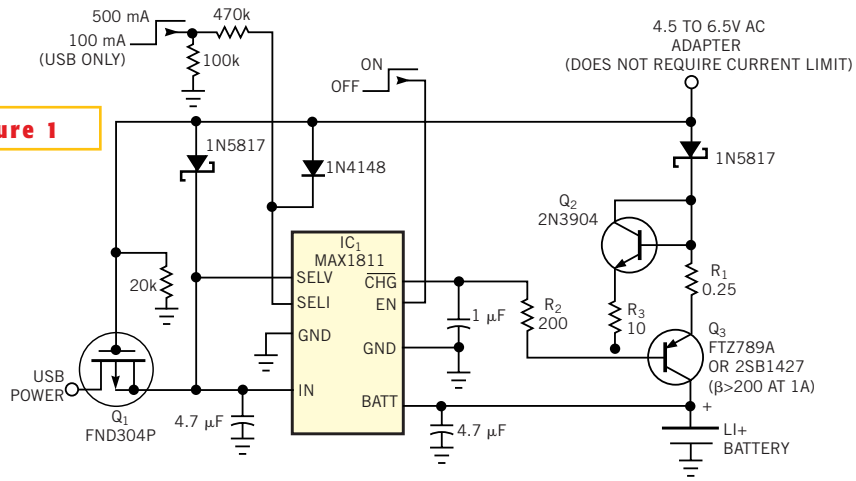


Figure 1



This battery charger delivers 100 or 500 mA (selectable) to a single lithium cell when USB power is connected and charges at 1100 mA (settable via R₁ or R₂) when ac power is present.