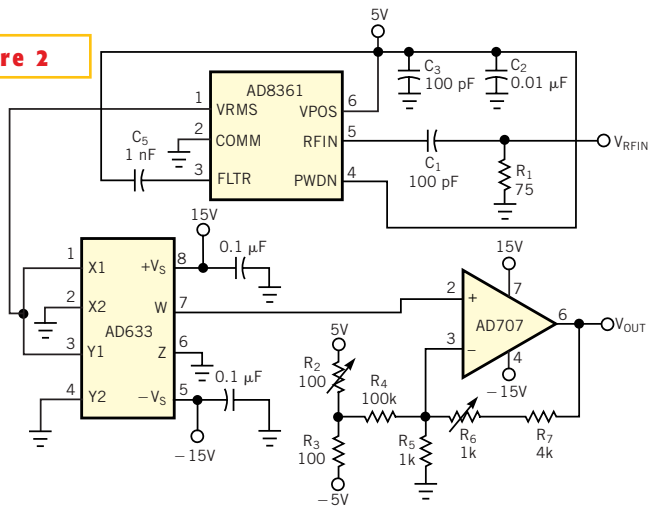


Figure 2



Log amps detect signals over a wide dynamic range, but are not rms-responding.