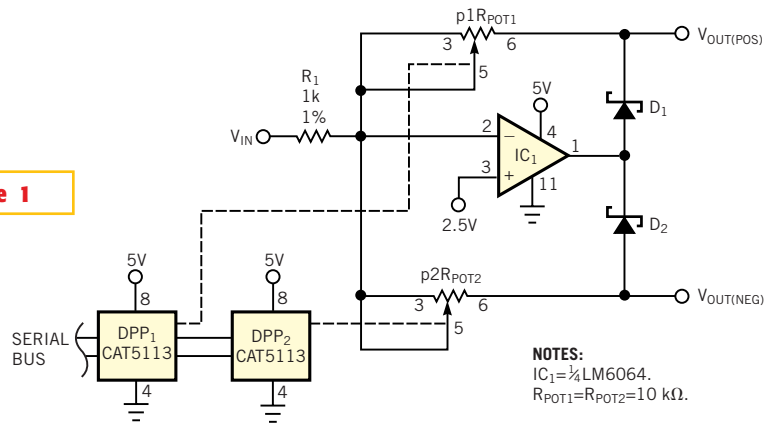


Figure 1



Using digitally programmable potentiometers, you can obtain two distinct gain figures from one amplifier.