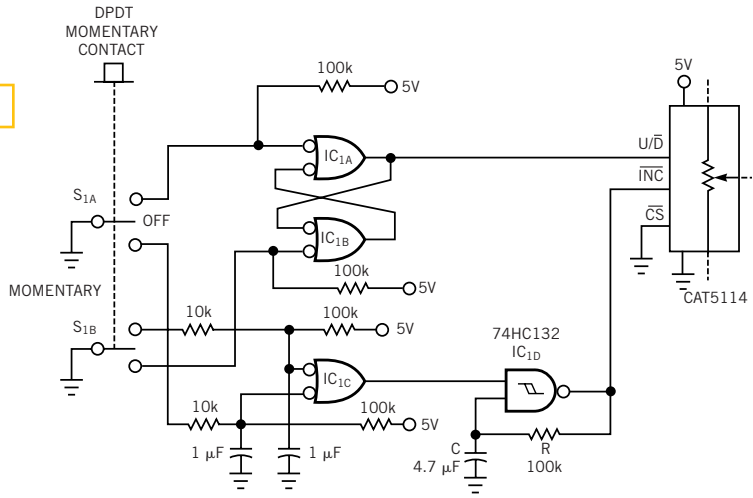


Figure 1



This is the original circuit, as published in Reference 1.