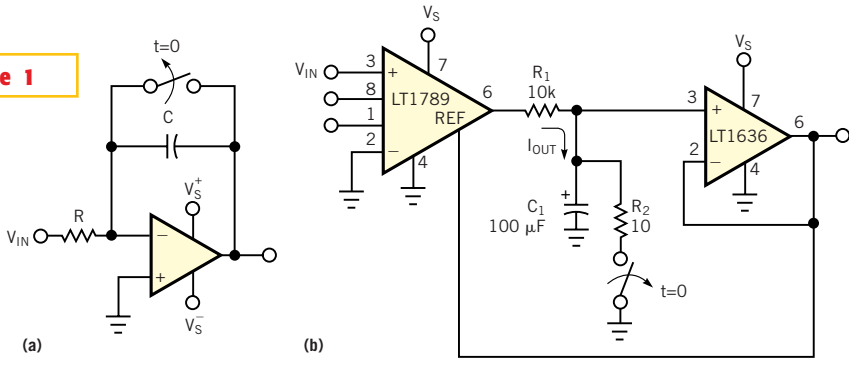


Figure 1



The classic integrator in a inverts and requires split supplies. The circuit in b is noninverting and works with a single supply.