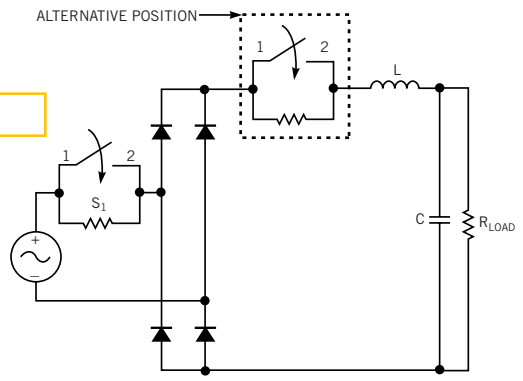


Figure 1



In this classic inrush-limiting circuit, the switch carries the full load current during normal operation.