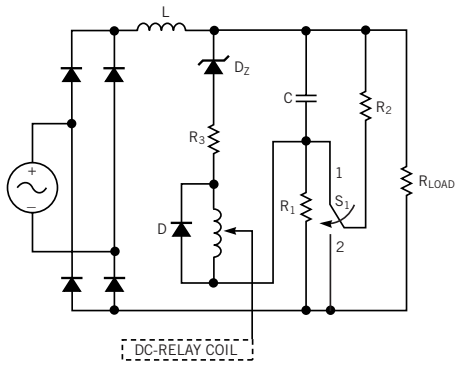


Figure 2



In this inrush-limiting circuit, the current rating of the switch is considerably reduced.