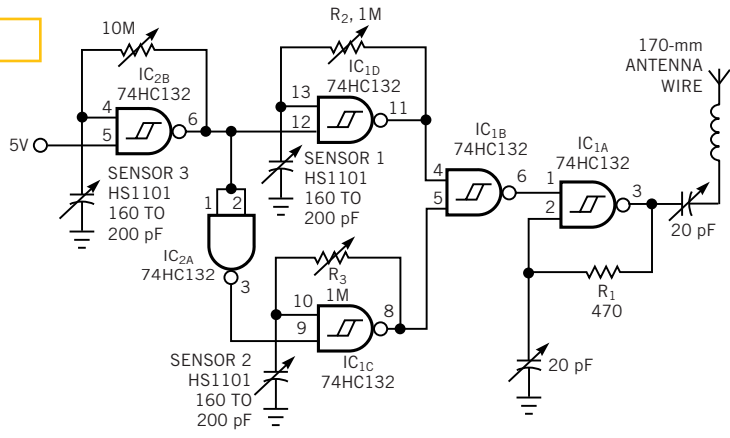


Figure 1



Using FSK modulation, you can generate three independent relative-humidity measurements with one circuit.