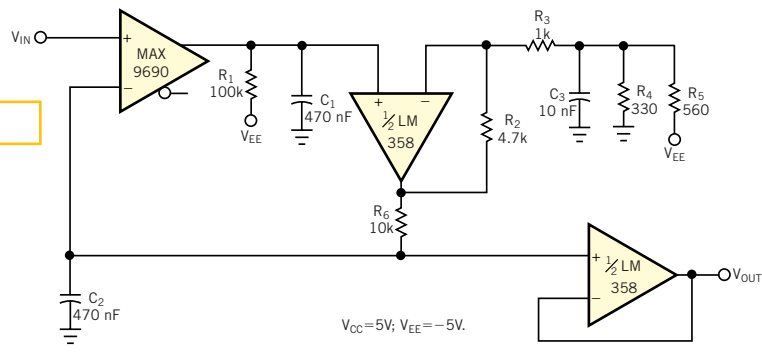


Figure 1



This circuit uses an ultrafast ECL-output comparator to measure the peak value of input signals.